

Joey Receiver Installation Diagrams

TABLE OF CONTENTS

- [Joey](#) on page
- [Wireless Joey](#) on page
- [Super Joey](#) on page

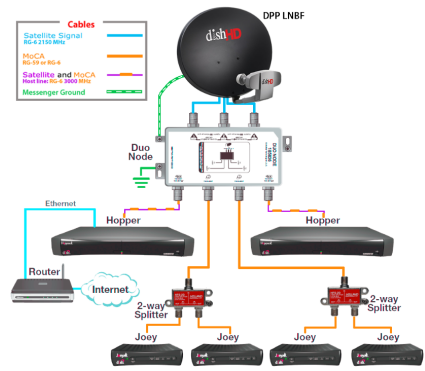
JOEY

1. [Solo Node, 1 Hopper, 2 Joey w/ Splitter](#) on page 1
2. [Solo Node, 1 Hopper, 2 Joey w/ Tap](#) on page 1
3. [Duo Node, 2 Hopper, 4 Joey w/ Splitters](#) on page 2
4. [Duo Node, 2 Hopper, 4 Joey w/ Taps](#) on page 2
5. [Duo Node, 2 Hopper, 2 Joey w/ Splitter and DPP Switch w/ Optional DP/DPP Receiver](#) on page 2
6. [Duo Node, 2 Hopper, 2 Joey w/ Splitter and DPP Switch w/ Dish 1000+](#) on page 2
7. [Solo Node, 1 Hopper 2, 1 Joey, 1 Super Joey w/ Splitter](#) on page 3
8. [Solo Node, 1 Hopper 2, 1 Super Joey, 1 Joey w/ Tap](#) on page 3
9. [Solo Node, 1 Hopper 2, 2 Joey, 1 Super Joey w/ Splitter](#) on page 3
10. [Solo Node, 1 Hopper 2, 3 Joey, 1 Super Joey w/ Splitter](#) on page 3
11. [Solo Node, 1 Hopper 2, 3 Joey, 1 Super Joey w/ Tap](#) on page 3
12. [DPP 44 Switch, Solo Node, 1 Hopper 2, 1 Joey, 1 Super Joey w/ Splitter, 1 ViP Receiver](#) on page 4
13. [Solo Node, 1 Hopper 2, 1 Joey, 2 Wireless Joey](#) on page 4
14. [Solo Node, 1 Hopper 2, 1 Joey, 1 Super Joey, 2 Wireless Joey](#) on page 4

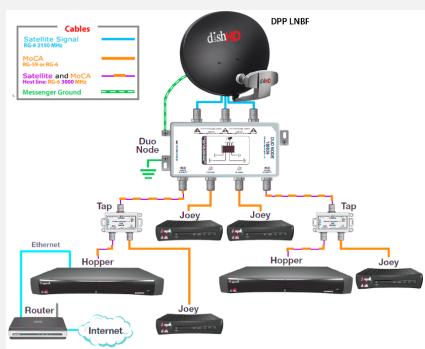
1.	Solo Node 1 Hopper 2 Joeyes w/ Splitter	
2.	Solo Node 1 Hopper 2 Joeyes w/ Tap	

Joey Receiver Installation Diagrams

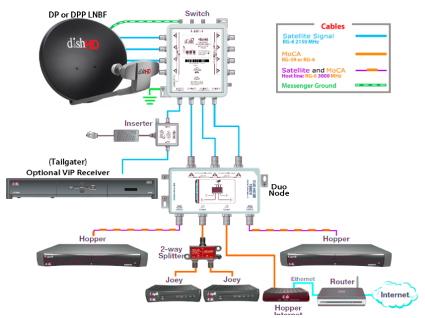
- 3. Duo Node
2 Hoppers
4 Joeyes w/ Splitters



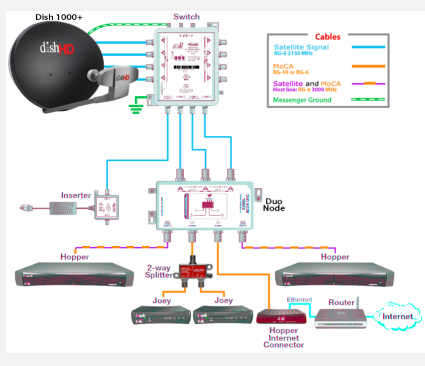
- 4. Duo Node
2 Hoppers
4 Joeyes w/ Taps



- 5. Duo Node
2 Hoppers
2 Joeyes w/ Splitter, DPP Switch,
Optional DP/DPP Receiver

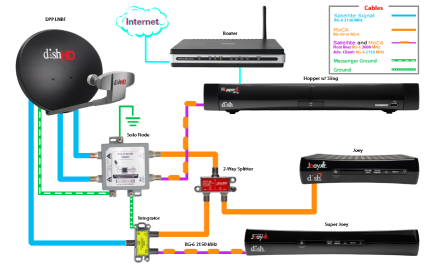


- 6. Duo Node
2 Hoppers
2 Joeyes w/ Splitter, DPP Switch,
DISH 1000+

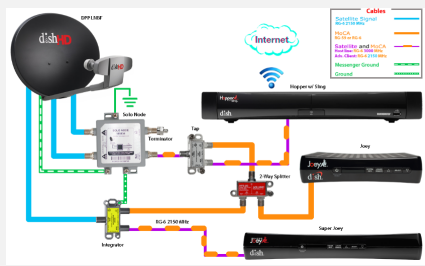


Joey Receiver Installation Diagrams

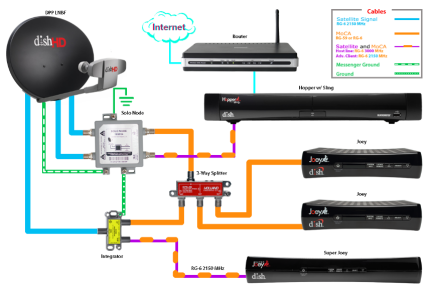
- 7. Solo Node
1 HOPPER 2
1 JOEY
1 SUPER JOEY W/ SPLITTER



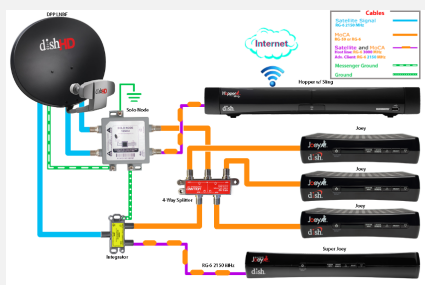
- 8. Solo Node
1 Hopper 2
1 Super Joey
1 Joey w/ Tap



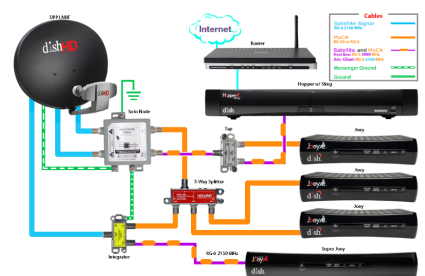
- 9. Solo Node
1 Hopper 2
2 Joeys
1 Super Joey w/ Splitter



- 10. Solo Node
1 Hopper 2
3 Joeys
1 Super Joey w/ Splitter

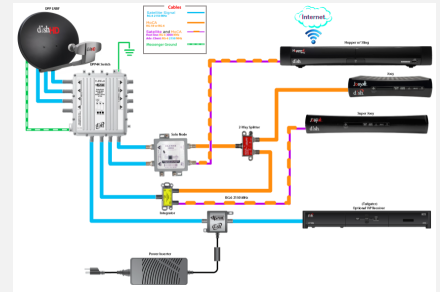


- 11. Solo Node
1 HOPPER 2
3 JOEYS
1 SUPER JOEY W/ TAP



Joey Receiver Installation Diagrams

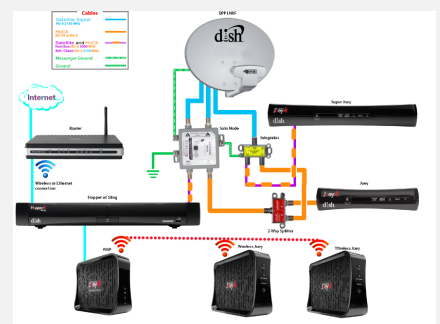
12. DPP 44 Switch
Solo Node
1 Hopper 2
1 Joey
1 Super Joey w/ Splitter
1 ViP Receiver



13. Solo Node
1 Hopper 2
1 Joey
2 Wireless Joeyes



14. Solo Node
1 Hopper 2
1 Joey
1 Super Joey
2 Wireless Joeyes



[Return to Top](#) on page

WIRELESS JOEY

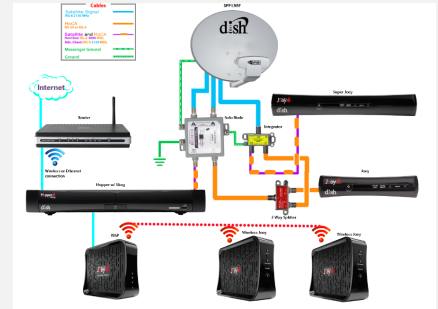
1. Solo Node, 1 Hopper, 2 Wireless Joeyes on page 5
2. Solo Node, 1 Hopper, 3 Wireless Joeyes on page 5
3. Solo Node, 1 Hopper, 3 Wireless Joeyes with HIC on page 5
4. Solo Node, 1 Hopper, 1 Joey, 2 Wireless Joeyes on page 5
5. Solo Node, 1 Hopper, 1 Super Joey, 2 Wireless Joeyes on page 5
6. Solo Node, 1 Hopper, 1 Super Joey, 1 Joey, 2 Wireless Joeyes on page 6
7. Duo Node, 3 Wireless Joeyes, 2 Wireless Access Points on page 6
8. Duo Node, 4 Wireless Joeyes, 2 Wireless Access Points on page 6

Joey Receiver Installation Diagrams

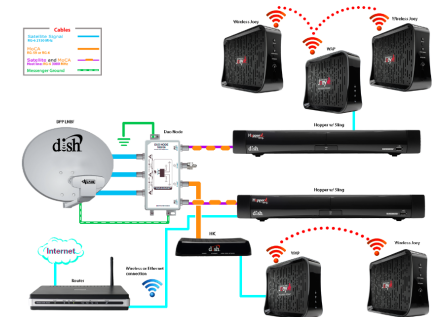
<p>1.</p> <p>Solo Node 1 Hopper 2 Wireless Joey</p>		
<p>2.</p> <p>Solo Node 1 Hopper 3 Wireless Joey</p>		
<p>3.</p> <p>Solo Node 1 Hopper 3 Wireless Joey with HIC</p>		
<p>4.</p> <p>Solo Node 1 HOPPER 1 JOEY 2 WIRELESS JOEYS</p>		
<p>5.</p> <p>Solo Node 1 Hopper 1 Super Joey 2 Wireless Joey</p>		

Joey Receiver Installation Diagrams

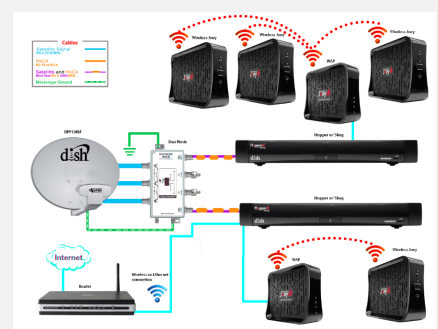
6. Solo Node
 1 Hopper
 1 Super Joey
 1 Joey
 2 Wireless Joeyes



7. Duo Node
 3 Wireless Joeyes
 2 Wireless Access Points



8. Duo Node
 4 Wireless Joeyes
 2 Wireless Access Points

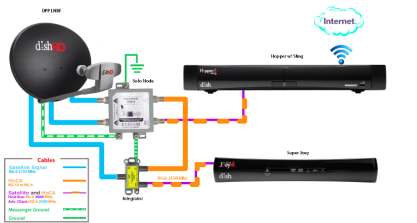
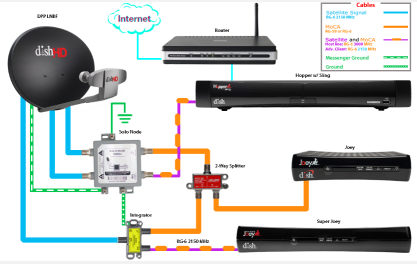
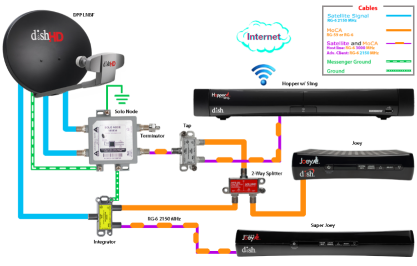
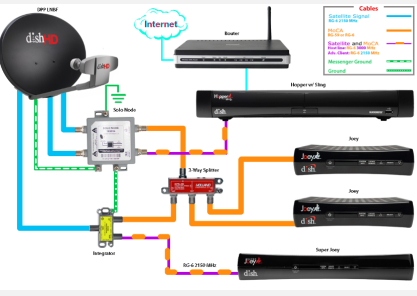
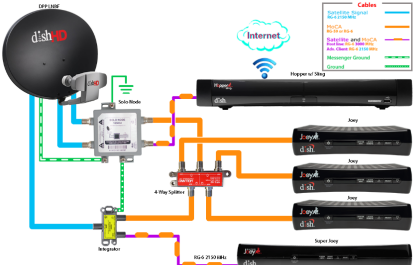


[Return to Top on page](#)

SUPER JOEY

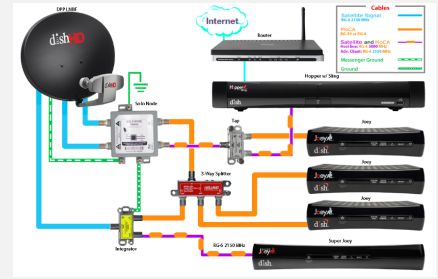
1. [Solo Node, 1 Hopper 2, 1 Super Joey on page 7](#)
2. [Solo Node, 1 Hopper 2, 1 Joey, 1 Super Joey w/ Splitter on page 7](#)
3. [Solo Node, 1 Hopper 2, 1 Joey, 1 Super Joey w/ Tap on page 7](#)
4. [Solo Node, 1 Hopper 2, 2 Joeys, 1 Super Joey w/ Splitter on page 7](#)
5. [Solo Node, 1 Hopper 2, 3 Joeys, 1 Super Joey w/ Splitter on page 7](#)
6. [Solo Node, 1 Hopper 2, 3 Joeys, 1 Super Joey w/ Tap on page 8](#)
7. [DPP44 Switch, Solo Node, 1 Hopper 2, 1 Joey, 1 Super Joey w/ Splitter, 1 ViP Receiver on page 8](#)

Joey Receiver Installation Diagrams

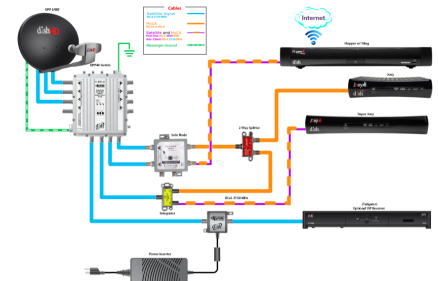
<p>1.</p>	<p>Solo Node 1 Hopper 2 1 Super Joey</p>	
<p>2.</p>	<p>Solo Node 1 Hopper 2 1 Joey 1 Super Joey w/ Splitter</p>	
<p>3.</p>	<p>Solo Node 1 Hopper 2 1 Joey 1 Super Joey w/ Tap</p>	
<p>4.</p>	<p>Solo Node 1 Hopper 2 2 Joeys 1 Super Joey w/ Splitter</p>	
<p>5.</p>	<p>Solo Node 1 HOPPER 2 3 JOEYS 1 SUPER JOEY W/ SPLITTER</p>	

Joey Receiver Installation Diagrams

6. Solo Node
1 Hopper 2
3 Joeys
1 Super Joey w/ Tap



7. DPP44 Switch
Solo Node
1 Hopper 2
1 Joey
1 Super Joey w/ Splitter
1 ViP Receiver



[Return to Top](#) on page